

# WALL MOUNTED SHOWER SYSTEMS

Submission Data Sheet S-1725P  
August, 2018

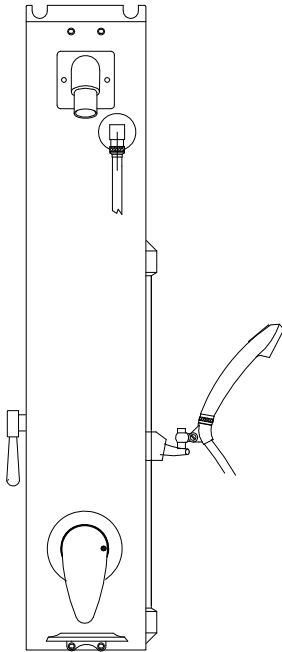
surfashower®



## HANDICAPPED INSTALLATION

### Pressure Actuated Surfashower®

- SS-PAM-200/3ISA-D2L/501P(G)-44 (Shown)
- SS-PAM-202-D2L/501P(G)-44
- SS-PAM-204-D2L/501P(G)-44
- SS-PAM-H-15-D2L/501P(G)-44



### SS-PAM-200/3ISA-D2L/501P(G)-44

#### SS-PAM-200/3ISA-D2L/501P(G)-44

- PAM-II, pressure-actuated shower mixer, with integral checkstops
- ½" Flexible stainless steel hose in inlets
- Adjustable high temperature limit stop set for 110°F\* (43°C)
- Maximum operating pressure: 125 PSIG (860KPA)
- D-2L inline diverter valve with lever handle
- H-06 institutional shower head, 2.5 GPM (95 l/min.) max.
- 501P(G) hand shower, 2.5 GPM (9.5 l/min) 69" (1753mm) hose, 24" (610mm) glide bar, double check valve assembly, supply elbow
- Sloping top cap with regular bottom cap
- Factory assembled and tested

#### SS-PAM-202-D2L/501P(G)-44

- H-01 adjustable spray ball joint shower head 2.5 GPM (9.5 l/min.)
- Cast flange shower head fitting

#### SS-PAM-204- D2L/501P(G)-44

- H-03 adjustable spray ball joint shower head, 2.5 GPM (95 l/min.)
- Cast flanged shower head fitting.

#### SS-PAM-H-15-D2L/501P(G)-44

- H-15 adjustable spray ball joint massage shower head 1.5 GPM (5.7 l/min.) high-impact ABS body chrome plated
- Cast flanged shower head fitting.

### OPTIONS:

- \_\_\_ SUFFIX VX - Integral stainless steel extension to ceiling, specify length\_\_". See reverse side to calculate VX length
- \_\_\_ SUFFIX 501P(G)-30 Same as above , with 30" bar
- \_\_\_ SUFFIX 515P(G) - Hand spray, 69" braided stainless steel flex hose 24" glide rail, double check valve backflow preventer, supply elbow and flange operates at 1.50 GPM /5.7 LPM, below ASME, ANSI A112.18.1 standard at 2.5 GPM/ 19.46 LPM
- \_\_\_ SUFFIX 515P(G)-30 Same as above , with 30" bar
- \_\_\_ SUFFIX 500P - Hand spray, 69" chrome hose, double check valve backflow preventer, supply elbow and flange, 2 wall hooks, operates at 2.5 GPM/ 9.5 LPM
- \_\_\_ SUFFIX 505P -Same as above but 1.50 GPM /5.7 LPM, below ASME, ANSI A112.18.1
- \_\_\_ SUFFIX C102S - C102S Brass showerhead 2.0 GPM flow rate, only on 200/3ISA
- \_\_\_ SUFFIX 1.5 - H-06 institutional showerhead 1.5 GPM flow rate, only on 200/3ISA
- \_\_\_ SUFFIX QD - quick disconnect

VALVE IS ASSE 1016 LISTED  
VALVE IS CSA LISTED



**WARNING:** This product can expose you to chemicals including lead, which is known to the State of California to cause cancer. For more information, go to [www.P65Warnings.Ca.gov](http://www.P65Warnings.Ca.gov)

<b>Engineer's Approval</b>	Job # _____
	Arch/Eng. _____
	Contractor _____

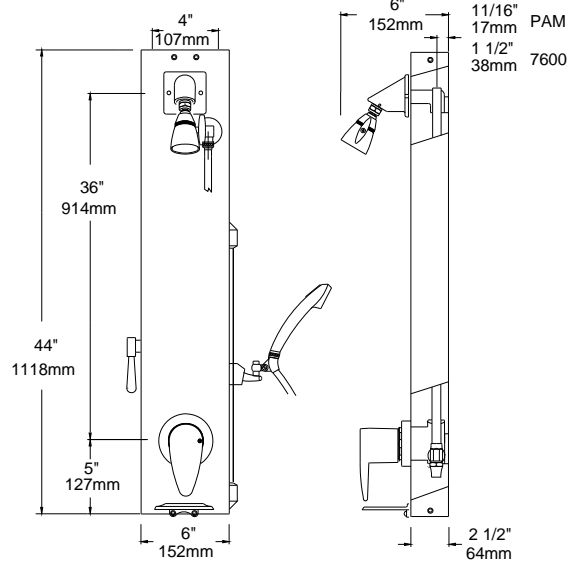
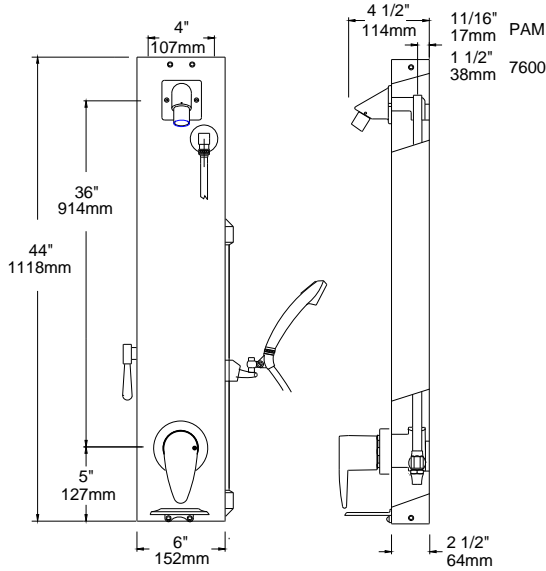


1360 Elmwood Avenue, Cranston, RI 02910 USA  
Phone: 401.461.1200 Fax: 401.941.5310  
Email: [info@leonardvalve.com](mailto:info@leonardvalve.com)  
Web Site: <http://www.leonardvalve.com>

# PRESSURE ACTUATED MODELS

SS-PAM-200/3ISA-D2L/501P(G)-44\*\*

SS-PAM-204/-D2L/501P(G)-44\*\*



**SUFFIX VX**  
(For 3ISA units)

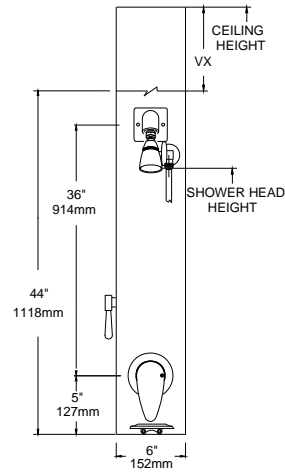
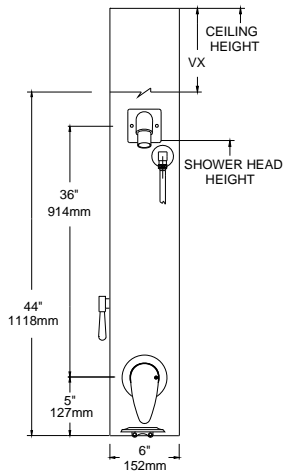


**VX Length:**  
**To Calculate:**  
**VX Length = Ceiling height minus**  
**Shower head height minus**  
**5" (127mm)**

**SUFFIX VX**  
(For 104, 202 & 204 & H-15 units)



**VX Length:**  
**To Calculate:**  
**VX Length = Ceiling height minus**  
**Shower head height minus**  
**7 1/2" (191mm)**



Note: Leonard Valve Company reserves the right of product, or design modifications without notice or obligation.

**\*NOTE:** A limit stop, set for 110°F (43°C), is simply a mechanical setting to prevent excessive handle rotation. If incoming water is hotter than 135°F (57°C), the temperature of the factory test, the valve when turned to full HOT may deliver water in excess of 110°F and the limit stop **MUST BE RESET BY THE INSTALLER**

**Engineer's Approval**



1360 Elmwood Avenue, Cranston, RI 02910 USA  
Phone: 401.461.1200 Fax: 401.941.5310

Email: [info@leonardvalve.com](mailto:info@leonardvalve.com)

WEB: <http://www.leonardvalve.com>